

| | |
|---------------|-----------|
| | 1 |
| | 1 |
| 1.1 | 1 |
| 1.2 | 1 |
| 1.3 | 1 |
| 1.4 | 2 |
| 1.5 | 2 |
| 1.6 | 2 |
| 1.7 | 2 |
| 1.8 | 2 |
| | 3 |
| 2.1 | 3 |
| 2.2 | 4 |
| 2.3 | 4 |
| 231 | 4 |
| 232 | 5 |
| 233 USB | 6 |
| 234 | 6 |
| 235 | 7 |
| 2.4 | 7 |
| 2.5 | 8 |
| 2.6 | 9 |
| 2.7 | 9 |
| | 9 |
| | 10 |

SP-POS586

SP-POS586

PC POS

POS

1.1

57.5± 0.5mm

8 /mm 384 /

70mm/

25

60km

12 × 24

50

25

11

48mm

1.2

57.5x 80 mm MAX

0.06~0.08 mm

1.3

12× 24

1.5

× 3.00

;

24× 24 3.00 × 3.00

1.4

DB-25 XON/XOFF RTS/CTS
 1200 115200bps
 1 7 8 1

DB-25 8 BUSY/ACK TTL
 USB
 B USB

DC12V 1A 6 RJ-11

1.5

ANK

GS UPC-A UPC-E EAN-13 EAN-8 CODE39 ITF25 CODABAR CODE93
 CODE128 PDF417 QRCODE DataMatrix

1.6

DC12V± 10 2A()

1.7

0 50 10 80
 -20 60 10 90

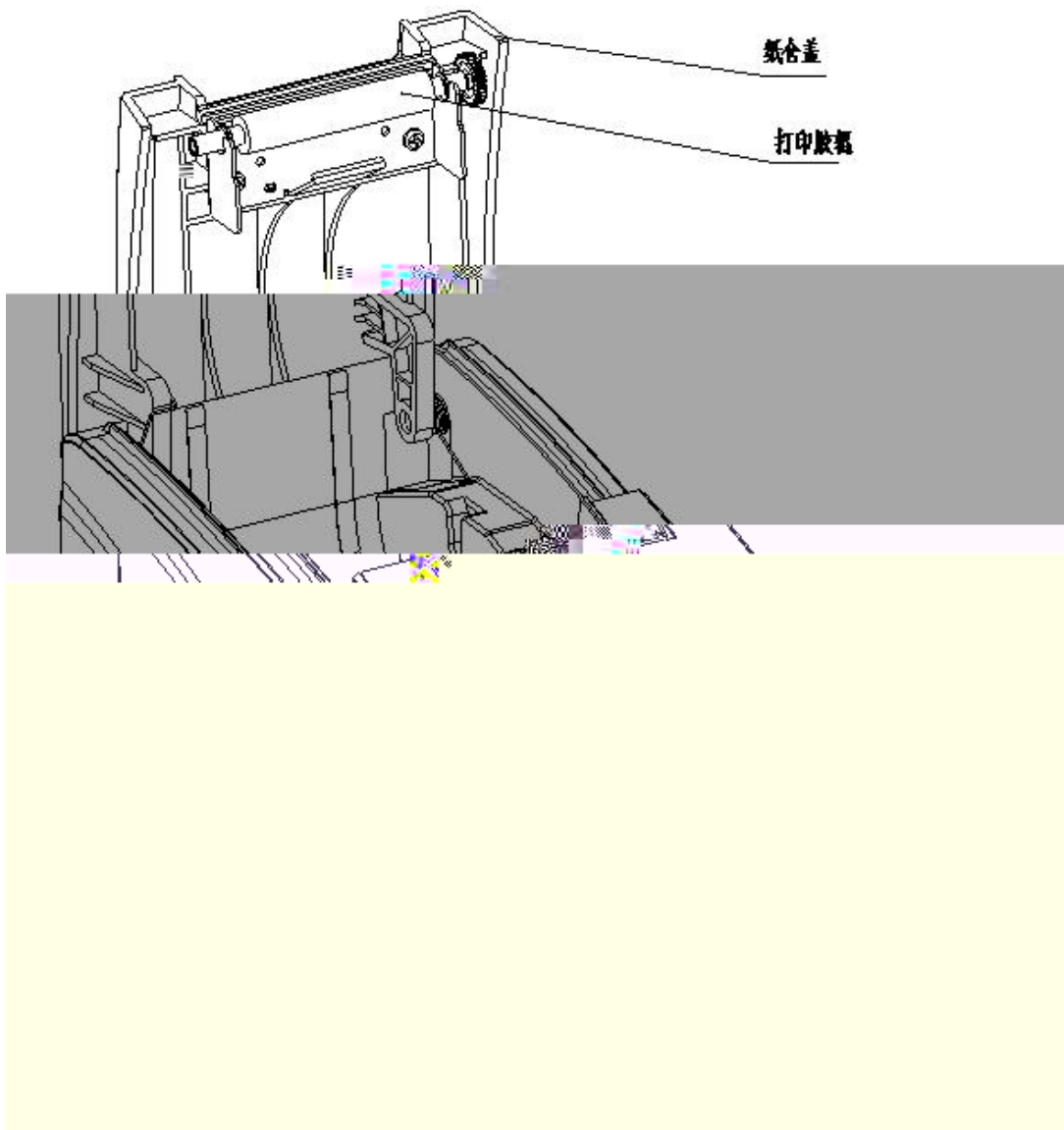
1.8

205 (L) X 118 (W) X129(H) mm

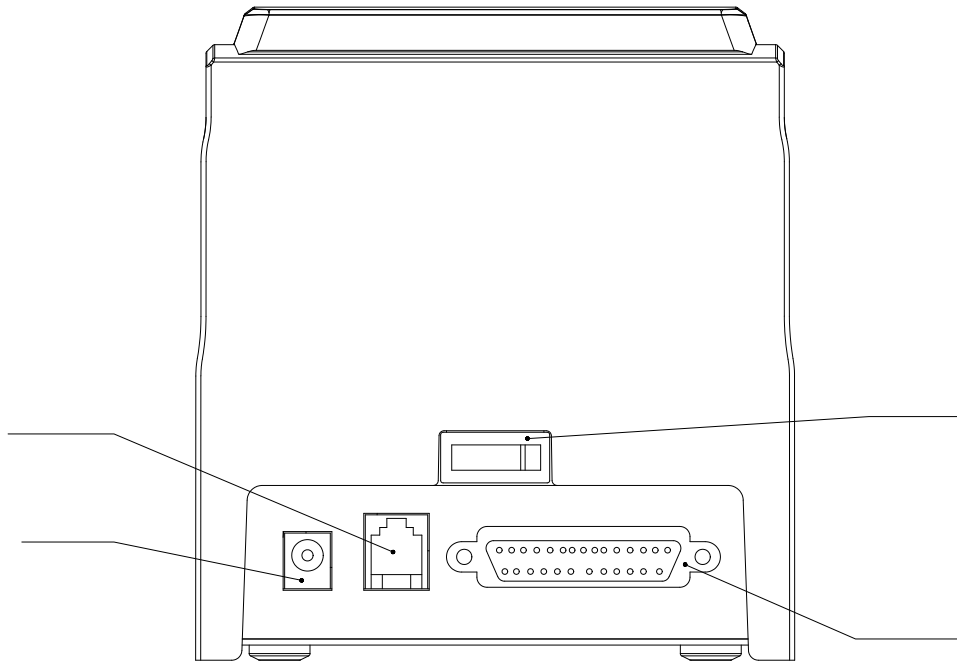
770g

2.1

2 1 2 2



2 1



2 2

2.2

SP-POS586

58 mm

1. FEED 2 1
- 2.

2.3

2.3.1

SP-POS586

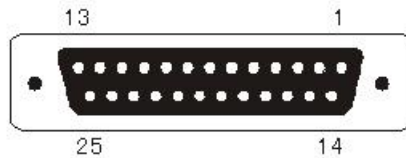
RS-232C

RTS/CTS

XON/XOFF

DB-25

2-3



2-3

2-1



| | | | |
|---|-----|---|---------------|
| 2 | RXD | | |
| 3 | TXD | | X-ON/X-OFF |
| 5 | CTS | | " MARK " " " |
| | | | " SPACE " " " |
| 6 | DSR | | " SPACE " " " |
| 7 | GND | — | |
| 8 | DCD | | CTS |

2-1

" "

EIA

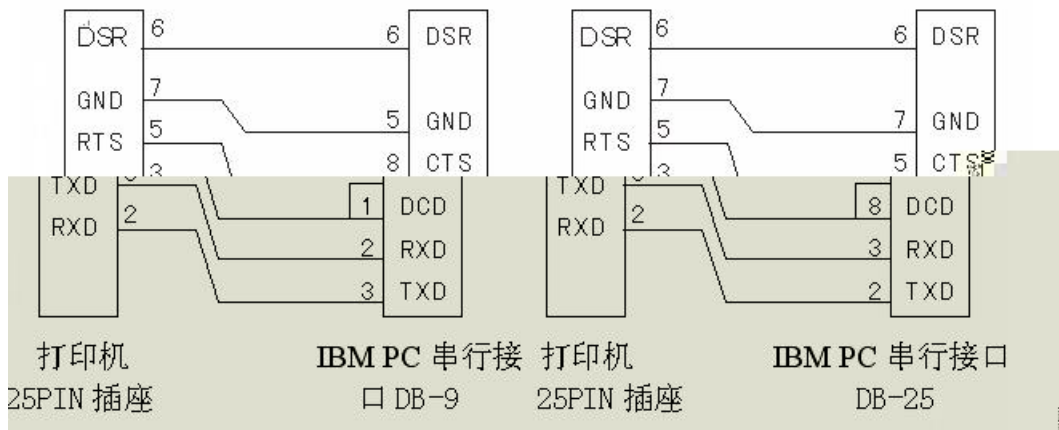
9600bps 8 1

SP-POS586

RS-232C

IBM PC

2-4



2 4 SP-POS586

IBM PC

2.3.2

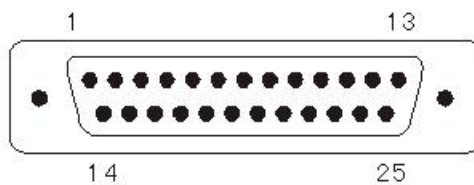
SP-POS586

CENIRONICS

BUSY ACK

DB-25

2-5



2-5

DB-25

2-2

| | | | |
|-------------|-------|-----|---------|
| 1 | /STB | | |
| 2 | DATA1 | | " 1" " |
| 3 | DATA2 | | " 0" |
| 4 | DATA3 | | |
| 5 | DATA4 | | |
| 6 | DATA5 | | |
| 7 | DATA6 | | |
| 8 | DATA7 | | |
| 9 | DATA8 | | |
| 10 | /ACK | | " " |
| 11 | BUSY | | " " " " |
| 12 | PE | | " " |
| 13 | SEL | | " " |
| 15 | /ERR | | " " |
| 14 16 17 19 | NC | --- | |
| 18 20~25 | GND | --- | " 0" |

2-2 DB-25

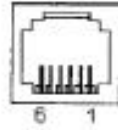
" " " "

TTL

2.3.3 USB

B USB

2.3.4



2 6

2 3

| | | |
|---|--------|-----|
| | | |
| 1 | | --- |
| 2 | | |
| 3 | / | |
| 4 | +12VDC | |
| 5 | N.C | --- |
| 6 | / | --- |

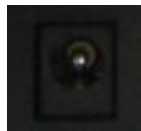
2 3

2.3.5

SP-POS586

12V± 10% 2A

2-7



2-7

2.4

2.4.1



" "

2.4.2

FEED

FEED

FEED

2.4.3

2.4.4

2.4.5

STATUS

STATUS

| | | | |
|---|---|---|---|
| | | | |
| | | | |
| 1 | 1 | 1 | 1 |
| 2 | 1 | 2 | 1 |
| 3 | 1 | 3 | 1 |

2 4

2.5

Is

3

2.6

| | | |
|------|----|---|
| FEED | 1s | 3 |
| FEED | 3 | 3 |

3

Hexadecimal Dump

To terminate hexadecimal dump,

Press FEED button three times.

3

" *** Completed ***"

2.7

| | | |
|------|-------|------|
| FEED | 1S | FEED |
| 3 | 3s | 5 LF |
| 3s | 1s 1s | |

SP- PCS586

www spri nter. com cn

--

-- -- POS

-- POS

SP- DRV211

" 58

"

| | | |
|--|--|---|
| | | |
| | | |
| | | |
| | | |
| | | |
| | | |
| | | |
| | | |
| | | |
| | | |
| | | |
| | | |
| | | |
| | | |
| | | Ø |
| | | |
| | | |
| | | |
| | | |
| | | |

| | | |
|--|--|--|
| | | |
| | | |
| | | |